



AlfaBlue Reverse BR

Air-cooled radiators

General information & application

AlfaBlue Reverse is a range of heavy-duty radiators specifically designed for cooling high temperature process fluids.

Radiators are often used for cooling water or other liquids in process, steel, chemical and food industries, (bio)diesel & gas power plants etc. With a wide range of sound pressure level alternatives, these units are particularly suited to demanding, noise sensitive environments.

Liquids	All liquids that do not corrode copper
Capacities*	100 up to 4400 kW

*(water, $T_{air} = 35^{\circ}C$, $T_{fluid\ in/out} = 80/60^{\circ}C$).

Coil

An innovative coil design provides excellent heat transfer. In standard execution BR radiators are fitted with smooth copper tubing and industrial power fins for long lasting performance.

Fin spacing 2.1 to 4 mm. Coil configuration optimized according to liquid flow. Separate connections in the D series provide the opportunity for independent operation of both coils.

Flanges aluminium (UNI EN 1092-4) and stainless steel flanges (UNI EN 1092-1).

Casing

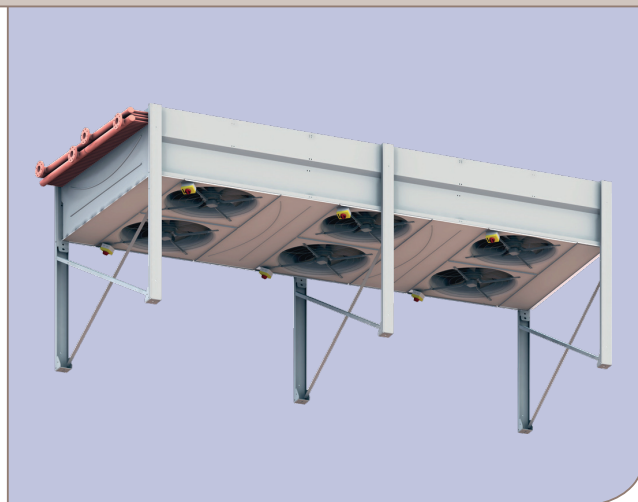
Frame construction provides high rigidity for stability and protection against vibration and thermal expansion. Casing & frame of corrosion resistant pregalvanized sheet steel (corrosion resistance class C4). Mounting feet galvanized steel. Separated fan sections.

Fan motors

Fan diameter 910 mm, blowing through the coil. Available in four noise levels, power supply 400/50/3. Motors with external rotor, protection class IP 54 according to DIN 40050. Integrated thermo contacts provide reliable protection against thermal overload.

Options

- Non-standard fin spacings
- Stainless steel tubes
- Multi-Circuiting



AlfaBlue BRD

- Coil corrosion protection
 - Coil coating
 - Fins seawater resistant aluminium alloy 57S/5052
- Casing epoxy coated (both sides)
- Coil protection grid
- Vibration dampers
- Electrical options
 - Isolating switch
 - Motors wired to a common terminal box
 - Switchboard (IP55)
 - EMC approval
 - Fan step control
 - Fan speed control
 - Frequency control

Certifications

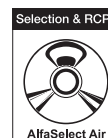
The Alfa Laval quality system is in accordance with ISO 9001. All products are manufactured according to CE and PED rules.

Test

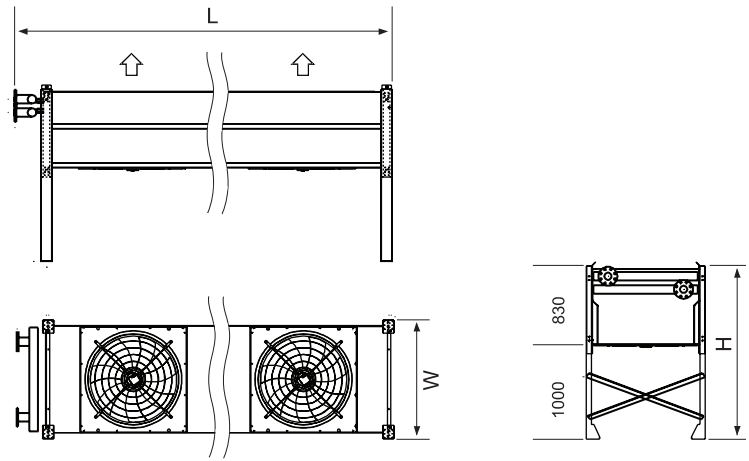
Each heat exchanger undergoes a pressure and leak test with dry air at 10 barg (design pressure 9 barg).

Selection

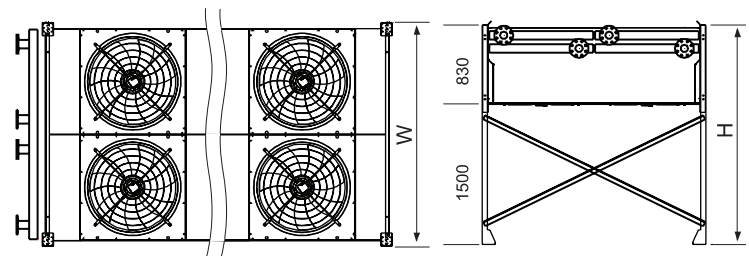
Please use AlfaSelect Air selection software for radiator selection and pricing.



type	fans	Dimensions mm		
		W	L	H
BRC 901	1	1256	2200	1830
BRC 902	2	1256	4000	1830
BRC 903	3	1256	5800	1830
BRC 904	4	1256	7600	1830
BRC 905	5	1256	9400	1830
BRM 901	1	1736	2200	1830
BRM 902	2	1736	4000	1830
BRM 903	3	1736	5800	1830
BRM 904	4	1736	7600	1830
BRM 905	5	1736	9400	1830
BRD 902	4	2376	4000	2330
BRD 903	6	2376	5800	2330
BRD 904	8	2376	7600	2330
BRD 905	10	2376	9400	2330
BRD 906	12	2376	11200	2330
BRD 907	14	2376	13000	2330



BRC/BRM



BRD

Code description

BRD 6 S 90 5 B D - options

- Options
- Fan speed connection: (D=delta, Y=star)
- Coil size (A, B, C, D, E or F)
- Number of fans per fan row (1-5 for BRC/BRM, 2-7 for BRD)
- Fan diameter (90=910 mm)
- Sound level (T=high performance, S=standard, L=low, Q=quiet)
- Tube diameter (only for BRD: default = 12mm, 6=16 mm)
- Fan rows (C=single fan row Compact, M=single fan row Medium, D=dual fan row)
- AlfaBlue Reverse radiator

Benefits

- Heavy duty design with high corrosion resistance
- Easily cleanable industrial power fins & removable fan motors for coil washing
- Excellent sound characteristics
- Reliable performance
- Easy installation & maintenance.
- Energy efficient - low total cost of ownership.
- Two-year product guarantee.

How to contact Alfa Laval

Up-to-date Alfa Laval contact details for all countries are always available on our website at www.alfalaval.com

